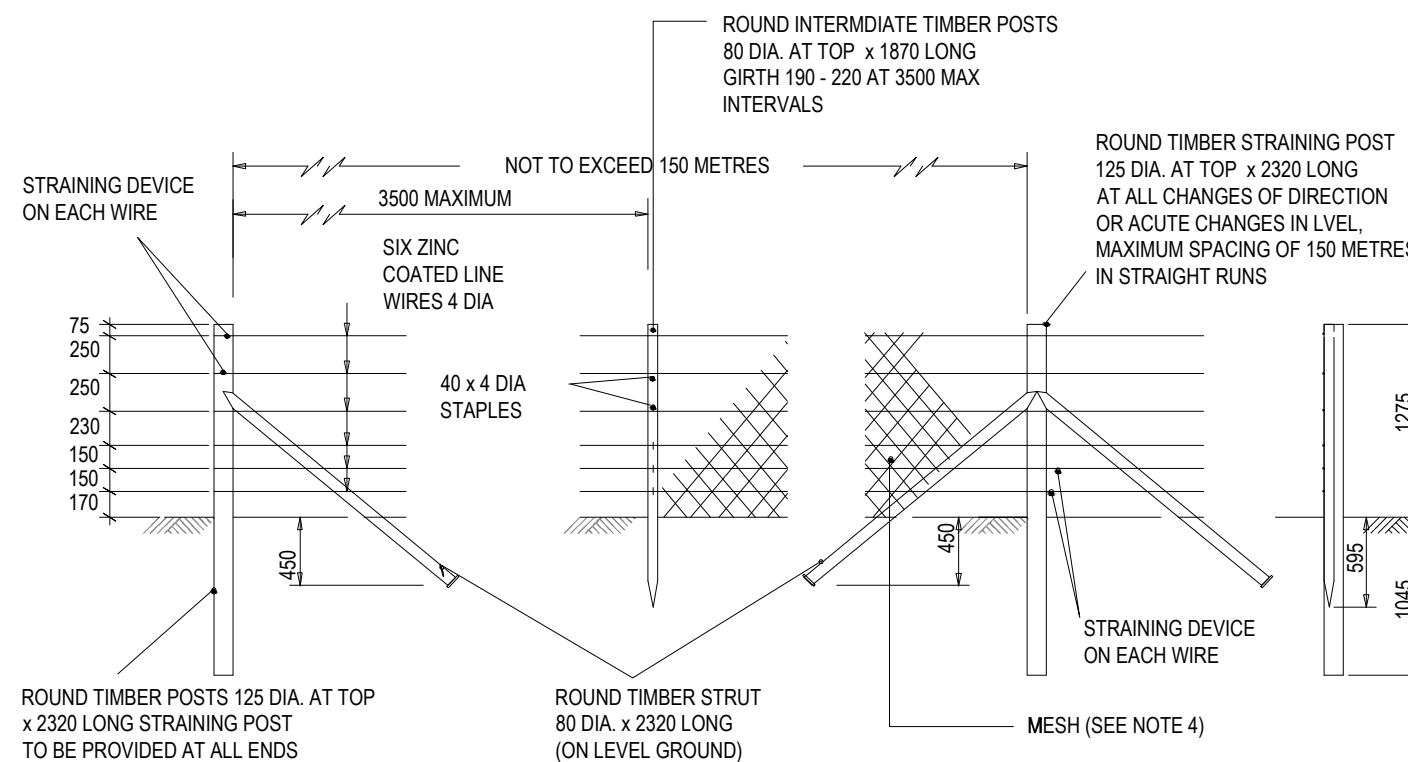


- NOTES:
- 1 FIGURED DIMENSIONS ONLY TO BE TAKEN FROM THIS DRAWING.
 - 2 ALL DRAWINGS TO BE CHECKED BY THE CONTRACTOR ON SITE.
 - 3 ENGINEER TO BE INFORMED OF ANY DISCREPANCIES BEFORE ANY WORK COMMENCES.
 - 4 THIS DRAWING TO BE READ IN CONJUNCTION WITH ALL OTHER RELEVANT DRAWINGS AND SPECIFICATIONS.

THIS DRAWING IS NOT TO BE USED AS A CONSTRUCTION DRAWING.



TIMBER POSTS AND WIRE FENCE

NOTES:

1. FENCE TYPE IS TO IS436 AND AS SHOWN ON THIS DETAIL
2. ALL LINE WIRE STIRRUP WIRE AND BARBED WIRE SHALL BE ZINC COATED TO COMPLY WITH IS 10223-1
3. WIRE SHALL BE FIXED TO POSTS BY 40 X 4 DIA STAPLES
4. MESH TYPE OR BARBED WIRE WHERE REQUIRED SHALL BE SPECIFIED
5. POST HOLES FALLING IN ROCK SHALL BE EXCAVATED TO THE DEPTH SHOWN ON THE DRAWING OR, SUBJECT TO AGREEMENT WITH THE EMPLOYERS REPRESENTATIVE, TO A DEPTH OF 500mm, AND SHALL BE BACKFILLED WITH MIX ST2 CONCRETE. WHERE A REDUCED DEPTH OF HOLE IS AGREED. THE TOP OF THE POST SHALL BE SUITABLY CUT AND TREATED IN ACCORDANCE WITH THE RECOMMENDATIONS OF IS.435:2005
6. ALL DIMENSIONS ARE IN MILLIMETERS

rev.	modifications	D	C	A

P:\Job-Job\6289 Tirawley W/F\100 Drawings\1003 Planning\1005 - Standard Detail\6289-PL-1005 Stock Proof Fence.dwg

Client

CONSTANT ENERGY LTD

Project

TIRAWLEY WIND FARM
CO. MAYO

Stage

PLANNING

Title

STOCK PROOF FENCE DETAILS

Scales

1:50 @ A3

Surveyed	Prepared	Checked	Approved	Date
JOD	JB	MG / DT	DK	APRIL 2026



© COPYRIGHT OF
JENNINGS O'DONOVAN AND PARTNERS LIMITED
FINISKLIN Tel (+353) 719 161 416
SLIGO Email. info@jodireland.com
IRELAND www.jodireland.com

@JOD_Sligo LinkedIn Jennings O'Donovan & Partners Facebook Jennings O'Donovan

Job No.	Drawing no.	Revision
6289	PL-1005	0